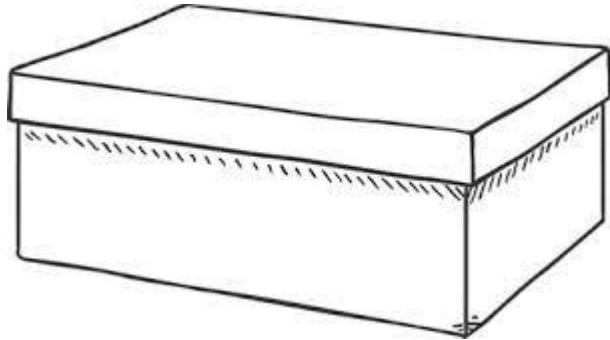
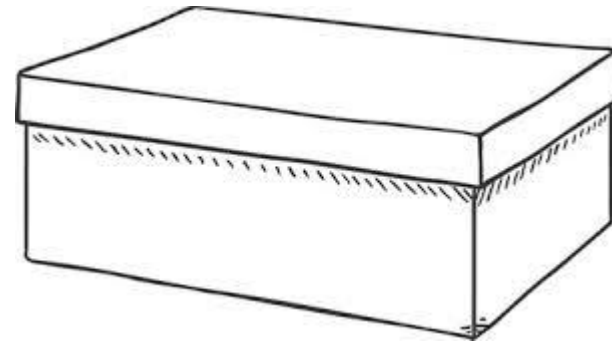


Kim's box

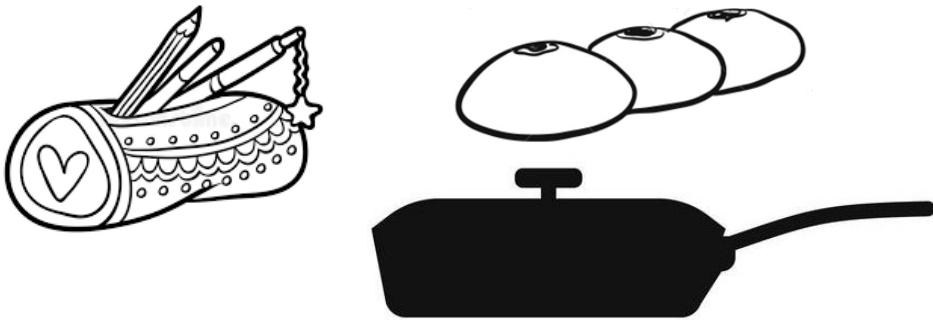


1



Kim had a big box.
"What do you have in that box?" asked Tom.

2



"I have a big bag of pens. I have buns and jam. I have a black pan with a lid.

Level 5

3

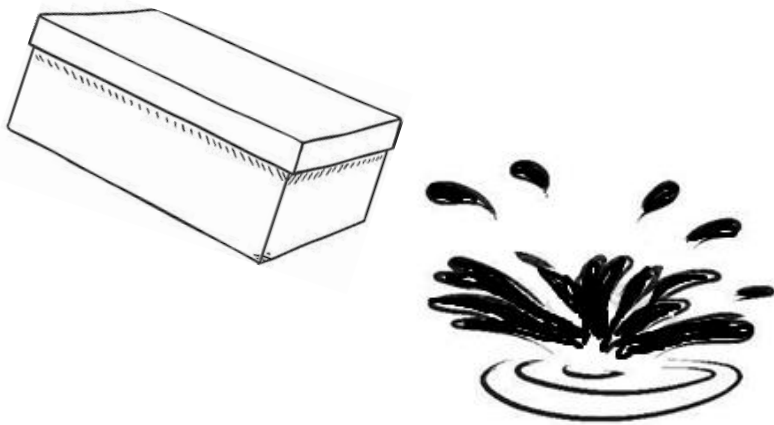


I have a red cap and a bag of nuts," said Kim.

"What a big mess!" said Tom.

"No It's not!" said Kim.

4



Then the box fell in the mud.
The stuff fell out of the box.
The stuff fell into the mud. It was a
big mess!

5



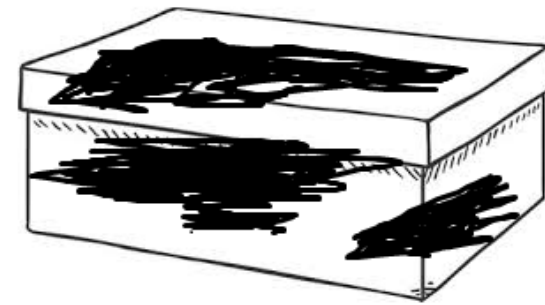
The buns, nuts and pens fell into the mud.
The black pan with a lid fell into the mud.

6



The red cap fell into the mud.
“What will you do with this stuff?”
asked Tom.

7



“I will pick it up and put it back in the
box,” said Kim.
That will be very messy,” said Tom.

Level 5

8