



The three bears



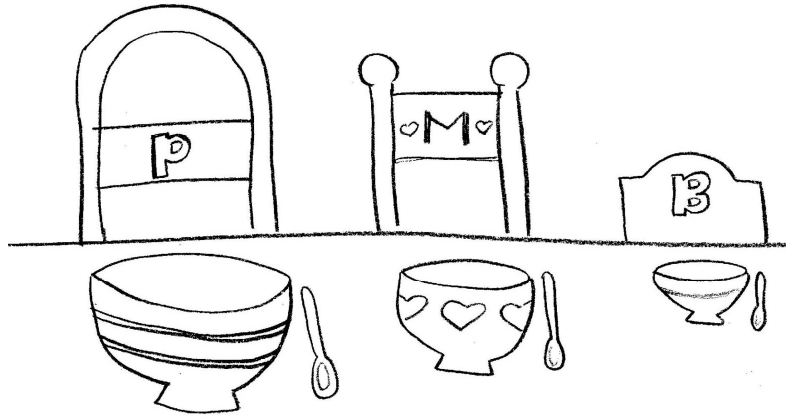
Here is Goldilocks.



Here are the three bears.



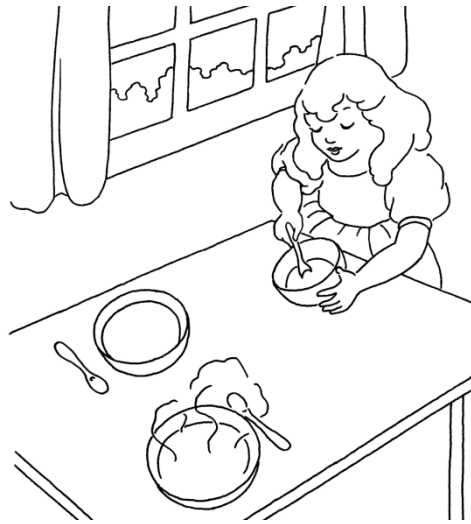
Here is the house of the three bears.



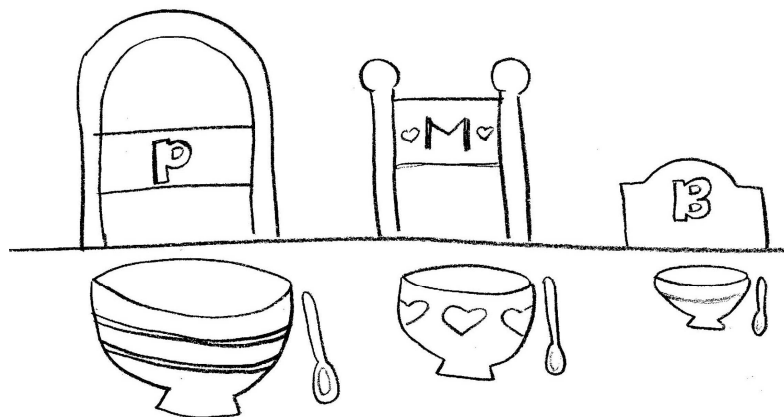
“I want to go for a walk,” said Father Bear. “The porridge is too hot.”



So Father Bear, Mother Bear and Baby Bear went for a walk.



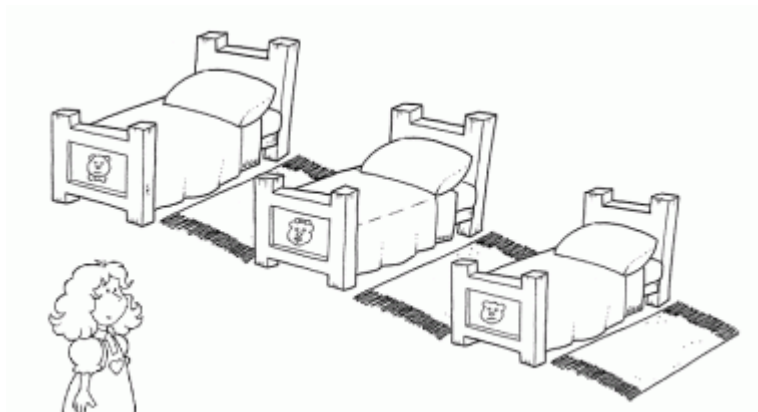
Here comes Goldilocks. “I want to eat some porridge,” said Goldilocks. “Here are three bowls of porridge. Yum!”



“The first bowl of porridge is too hot,” she said. “The second bowl of porridge is not good, but the little bowl of porridge is very good.”



**“I want to sit down,” said Goldilocks,
“This chair is too hard,” she said.
“This one is too soft, but the little
one is very good.”**



**“I want to go to sleep,” she said.
“This bed is too hard,” said
Goldilocks, “and this one is too soft.
But the little bed is very good.”**

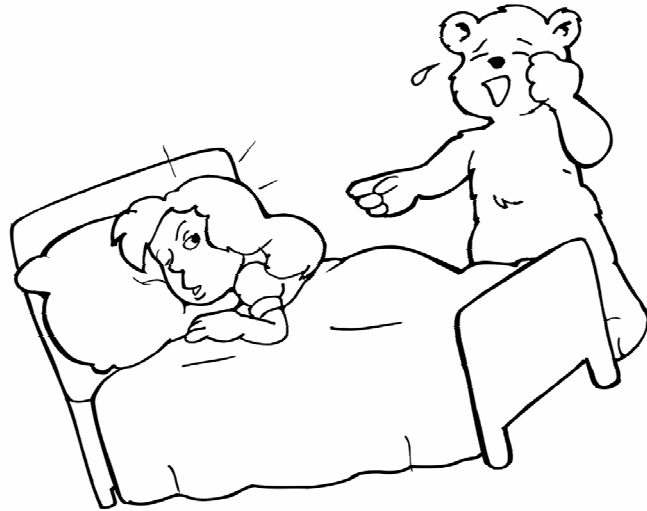


The three bears came home.

“Where is my porridge?” said Baby Bear.



“Look at my little chair,” said Baby Bear.



**“Look at my bed,” said Baby Bear.
“Who is in my bed?”**



**Goldilocks woke up. She ran and ran
all the way home.**

| | | | |
|--------------|-------------------|---------------|---------------|
| Here | Goldilocks | are | three |
| bears | house | want | for |
| walk | said | Father | Mother |
| Baby | porridge | too | went |
| comes | eat | some | very |

| | | | |
|--------------|--------------|---------------|-------------|
| soft | sleep | little | came |
| home | where | look | my |
| who | woke | all | way |
| crash | so | bowl | ate |
| good | down | chair | hard |